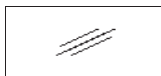


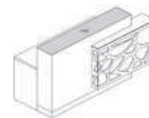
SPECYFIKACJA TECHNICZNA

KOLORYSTYKA

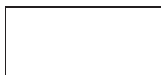
BLAT GÓRNY - SZKŁO



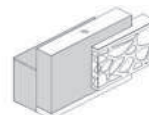
BIAŁY, LACOBEL



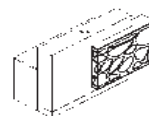
KORPUS



67 BIAŁY PASTEL



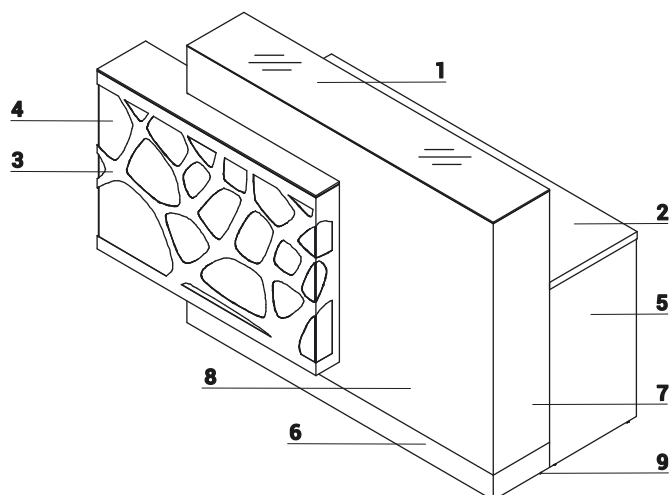
FRONT - METAL

M015 BIAŁY
PÓŁMAT

FRONT - PLEKSIGLAS

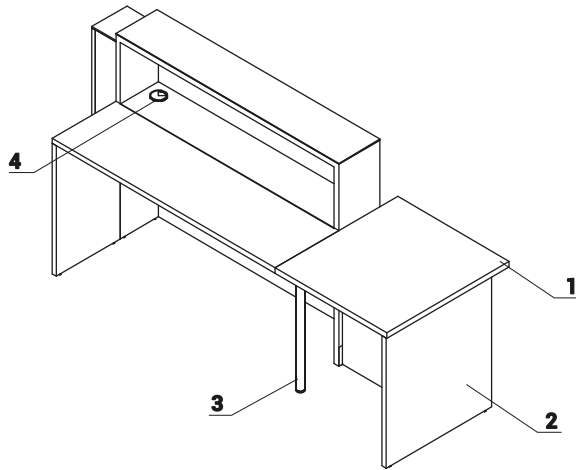


PLEKSIGLAS BIAŁY



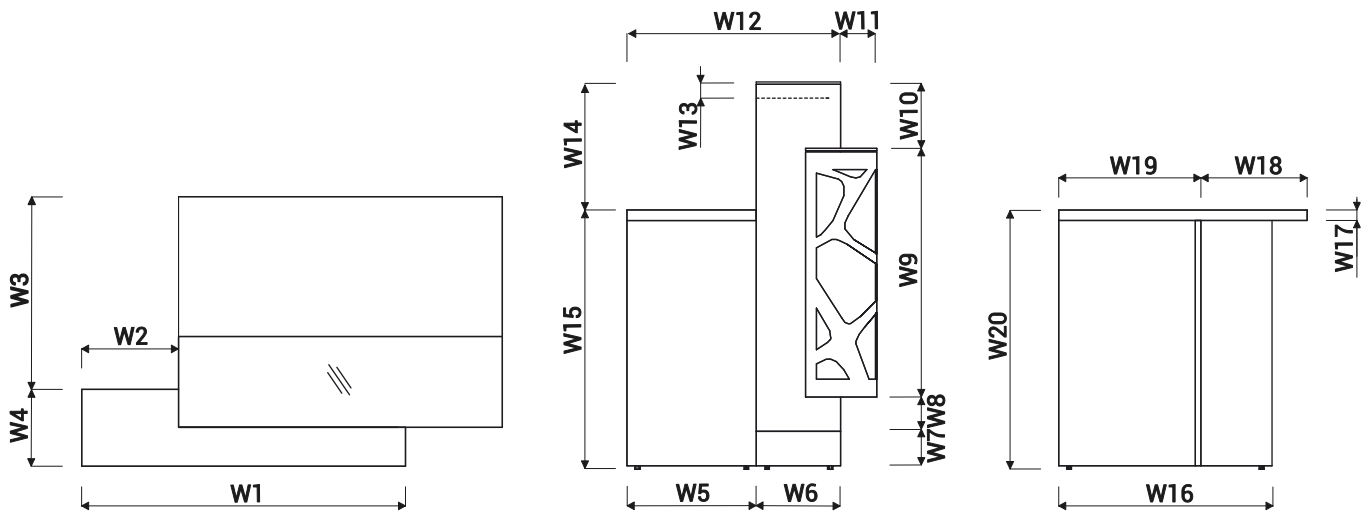
1. **Blat Szklany** - szkło LACOBEL 4mm
2. **Blat roboczy** - płyta melaminowana 28mm, obrzeża PVC
3. **Front z oświetleniem** - połączenie elementu metalowego, malowanego proszkowo z plexiglas
4. **Oświetlenie** - RGBW LED, sterowane zdalnie
5. **Noga boczna niska** - płyta melaminowana 28mm, obrzeża PVC
6. **Cokół** - HPL - aluminium szczotkowane
7. **Korpus** - płyta 18mm pokryta HPL - mat
8. **Front** - płyta melaminowana 28mm, pokryta HPL - mat 0,8mm
9. **Regulator poziomu** - regulacja w zakresie 5mm

SPECYFIKACJA TECHNICZNA



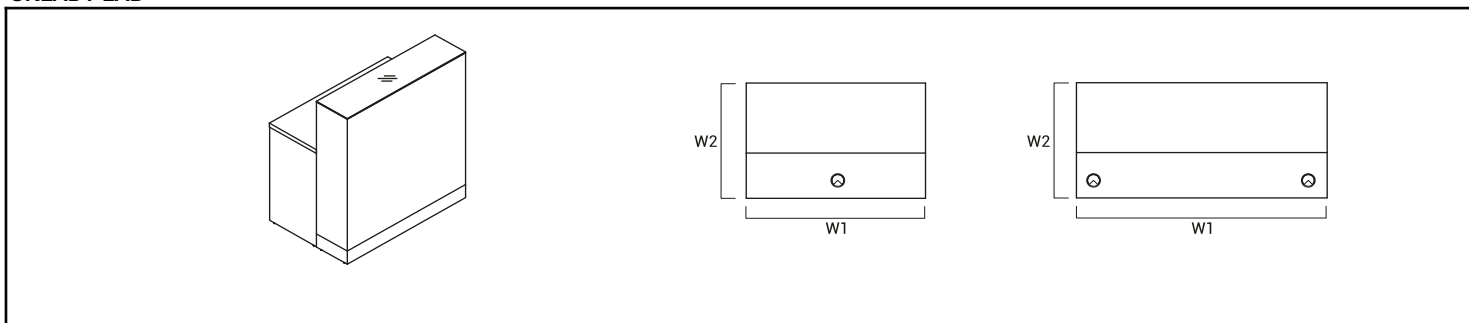
1. **Błat roboczy** - płyta melaminowana 28mm, obrzeża PVC
2. **Noga boczna niska** - płyta melaminowana 28mm, obrzeża PVC
3. **Noga podpierająca NE41** - metalowa, wymagana na łączeniu blatów
4. **Przepusty kablowe** - Ø80mm

WYMIARY

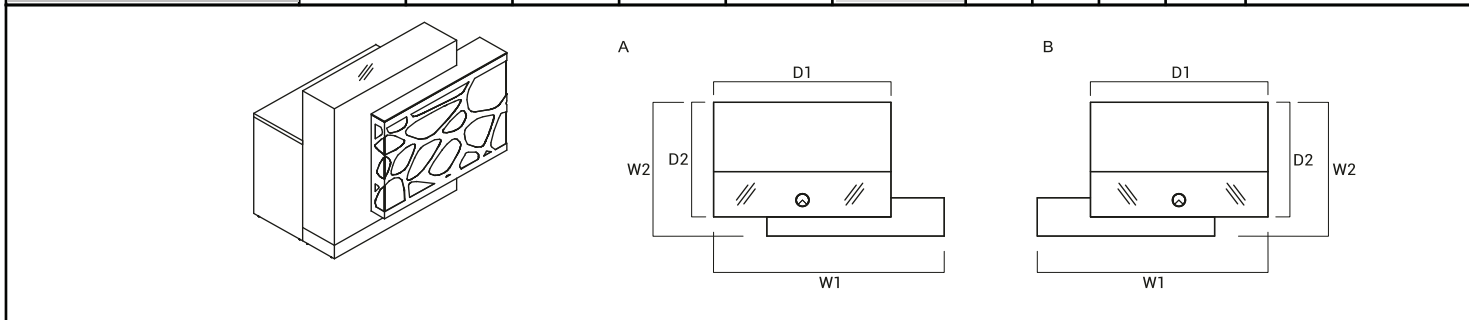


W1 - 1000mm | W2 - 300mm | W3 - 550mm | W4 - 222mm | W5 - 400mm | W6 - 260mm | W7 - 100mm | W8 - 97mm | W9 - 705mm | W10 - 184mm | W11 - 110mm | W12 - 660mm | W13 - 34mm | W14 - 365mm | W15 - 740mm | W16 - 660mm | W17 - 28mm | W18 - 318mm | W19 - 452mm | W20 - 740mm

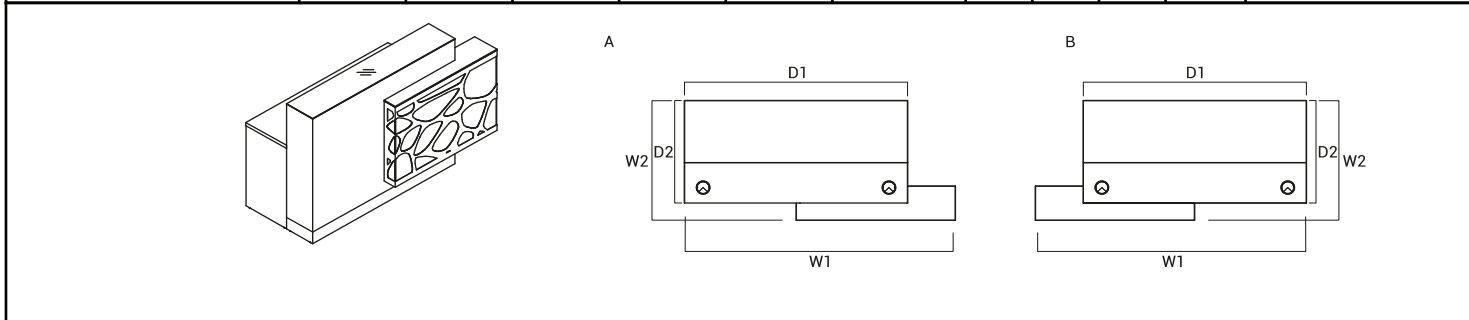
UKŁADY LAD



| SYMBOL | WYMIARY [mm] | | | | | CENA NETTO PLN | | | | ELEMENTY SKŁADOWE |
|--------|----------------|----------------|----------------|----------------|------|----------------|------|----------------|-----|-------------------|
| | W ₁ | W ₂ | D ₁ | D ₂ | H | | kg | m ³ | szk | |
| LOG10G | 1000 | 660 | - | - | 1105 | 2 455,- | 50.0 | 0.582 | 2 | LOG10B+LOG10K |
| LOG14G | 1400 | 660 | - | - | 1105 | 3 080,- | 55.0 | 0.815 | 2 | LOG14B+LOG14K |



| SYMBOL | WYMIARY [mm] | | | | | CENA NETTO PLN | | | | ELEMENTY SKŁADOWE |
|-----------|----------------|----------------|----------------|----------------|------|----------------|------|----------------|-----|----------------------|
| | W ₁ | W ₂ | D ₁ | D ₂ | H | | kg | m ³ | szk | |
| A LOG11LG | 1300 | 770 | 1000 | 660 | 1105 | 7 260,- | 75.5 | 0.740 | 4 | LOG10B+LOG10K+LOG01L |
| B LOG11PG | 1300 | 770 | 1000 | 660 | 1105 | 7 260,- | 75.5 | 0.740 | 4 | LOG10B+LOG10K+LOG01P |



| SYMBOL | WYMIARY [mm] | | | | | CENA NETTO PLN | | | | ELEMENTY SKŁADOWE |
|-----------|----------------|----------------|----------------|----------------|------|----------------|------|----------------|-----|----------------------|
| | W ₁ | W ₂ | D ₁ | D ₂ | H | | kg | m ³ | szk | |
| A LOG12LG | 1700 | 770 | 1400 | 660 | 1105 | 7 885,- | 80.5 | 0.973 | 4 | LOG14B+LOG14K+LOG01L |
| B LOG12PG | 1700 | 770 | 1400 | 660 | 1105 | 7 885,- | 80.5 | 0.973 | 4 | LOG14B+LOG14K+LOG01P |

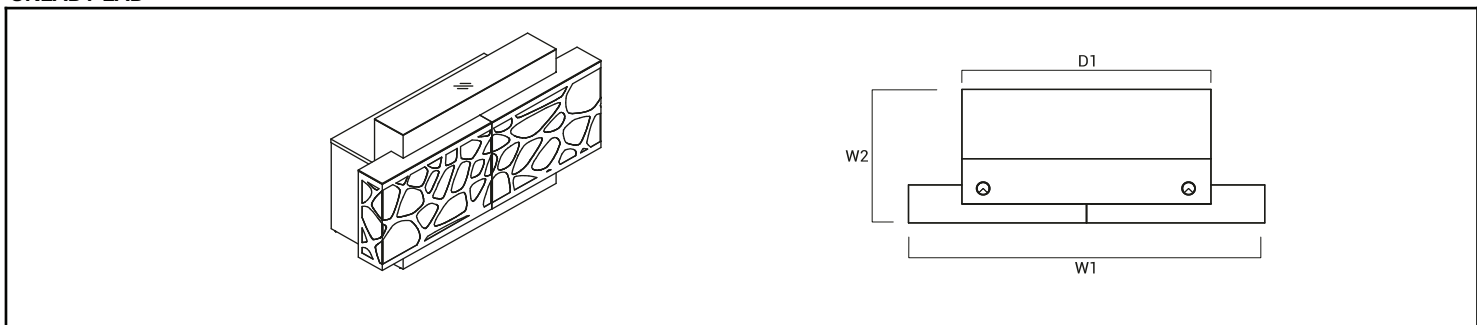
LEGENDA:

- WAGA NETTO

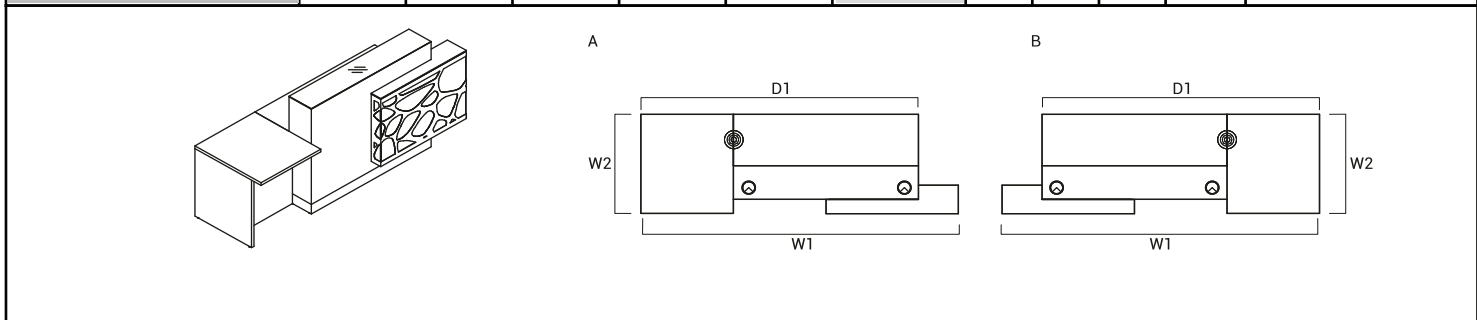
- OBJĘTOŚĆ

- ILOŚĆ PACZEK

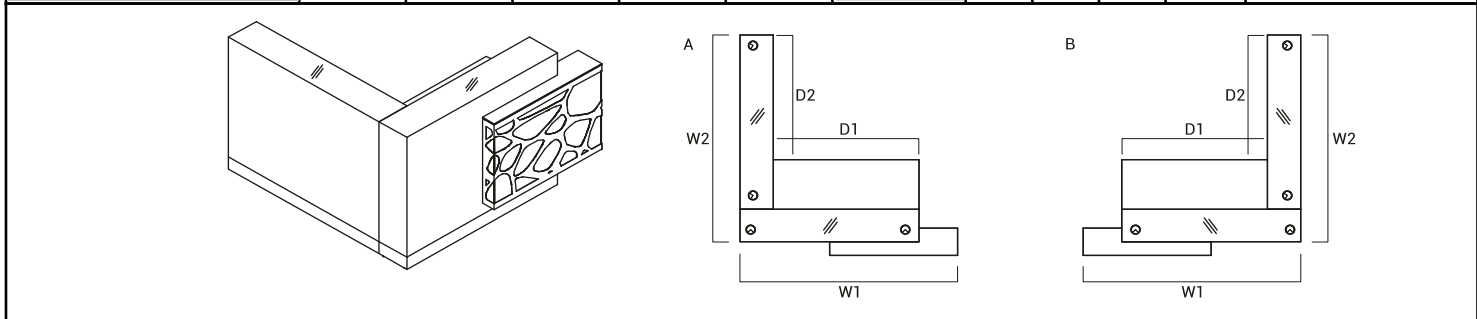
UKŁADY ŁAD



| SYMBOL | WYMIARY [mm] | | | | | CENA NETTO PLN | kg | m3 | szt | ELEMENTY SKŁADOWE |
|--------|----------------|----------------|----------------|----------------|------|----------------|-------|-------|-----|-----------------------------|
| | W ₁ | W ₂ | D ₁ | D ₂ | H | | | | | |
| LOG13G | 2000 | 770 | 1400 | - | 1105 | 12 685,- | 106.0 | 1.132 | 6 | LOG14B+LOG14K+LOG01L+LOG01P |



| SYMBOL | WYMIARY [mm] | | | | | CENA NETTO PLN | kg | m3 | szt | ELEMENTY SKŁADOWE |
|------------|----------------|----------------|----------------|----------------|------|----------------|------|-------|-----|----------------------------------|
| | W ₁ | W ₂ | D ₁ | D ₂ | H | | | | | |
| A LOG14PLG | 2400 | 770 | 2100 | - | 1105 | 8 565,- | 93.8 | 1.007 | 6 | LOG01L+LOG14K+LOG14B+LOG07+NE41L |
| B LOG14PPG | 2400 | 770 | 2100 | - | 1105 | 8 565,- | 93.8 | 1.007 | 6 | LOG07+LOG14B+LOG14K+LOG01P+NE41L |



| SYMBOL | WYMIARY [mm] | | | | | CENA NETTO PLN | kg | m3 | szt | ELEMENTY SKŁADOWE |
|-----------|----------------|----------------|----------------|----------------|------|----------------|-------|-------|-----|------------------------|
| | W ₁ | W ₂ | D ₁ | D ₂ | H | | | | | |
| A LOG16LG | 1700 | 1660 | 1140 | 1000 | 1105 | 10 090,- | 120.5 | 1.297 | 5 | LOG01L+2xLOG14K+LOG11B |
| B LOG16PG | 1700 | 1770 | - | - | 1105 | 10 090,- | 120.5 | 1.297 | 5 | 2xLOG14K+LOG11B+LOG01P |

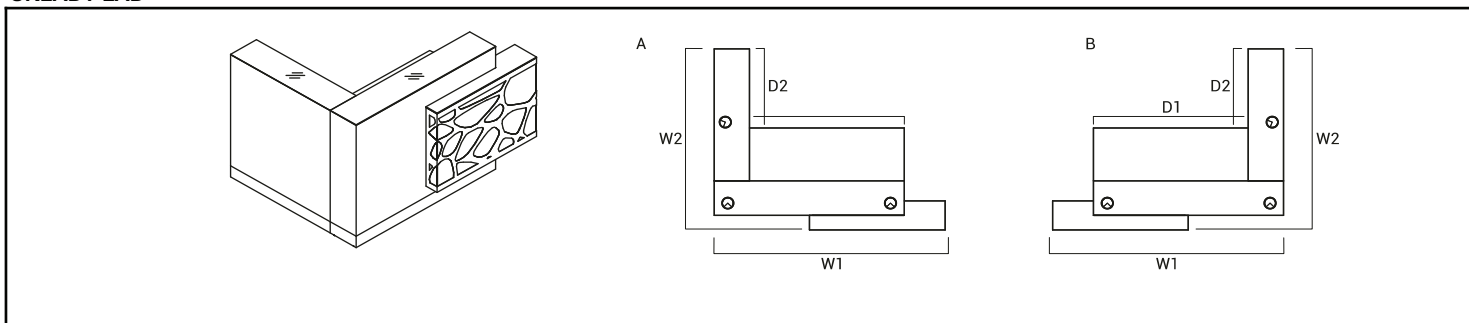
LEGENDA:

- WAGA NETTO

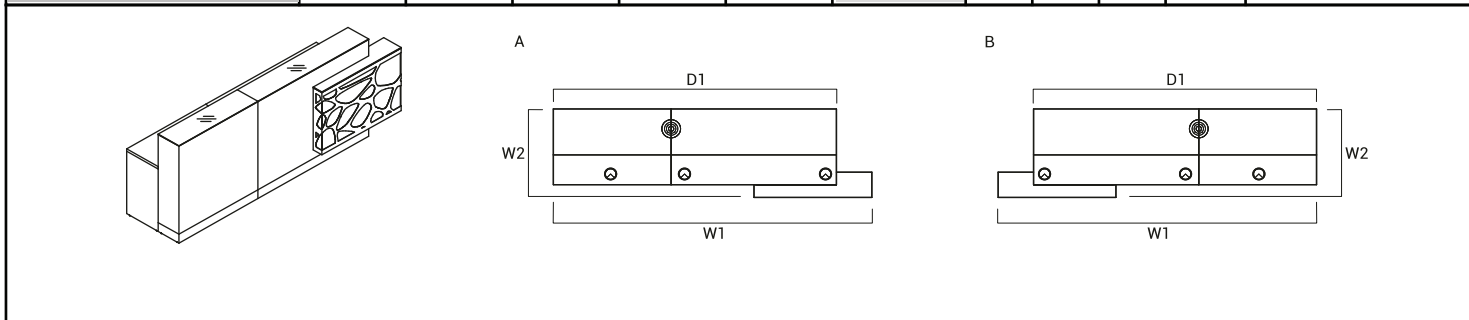
- OBJĘTOŚĆ

- ILOŚĆ PACZEK

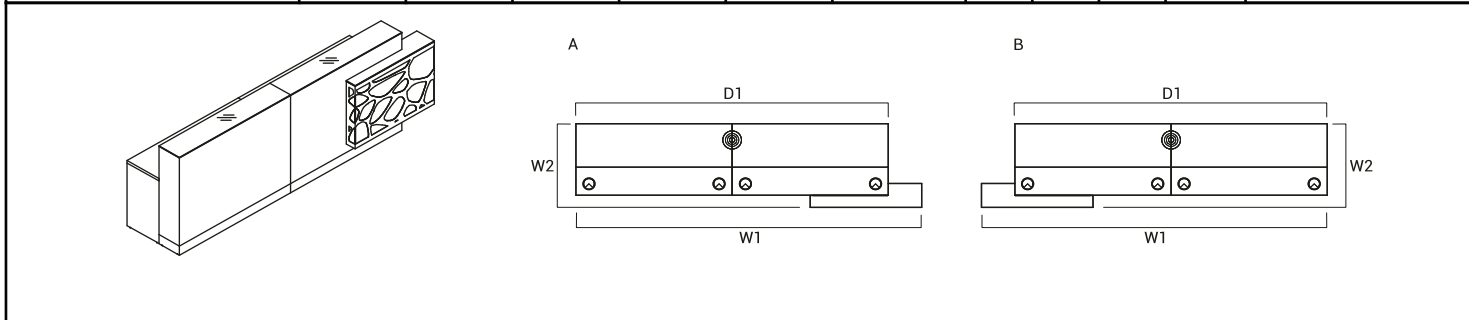
UKŁADY LAD



| SYMBOL | WYMIARY [mm] | | | | | CENA NETTO PLN | kg | m3 | szt | ELEMENTY SKŁADOWE |
|------------------|----------------|----------------|----------------|----------------|------|----------------|-------|-------|-----|-----------------------------|
| | W ₁ | W ₂ | D ₁ | D ₂ | H | | | | | |
| A LOG18LG | 1700 | 1370 | 1140 | 600 | 1105 | 9 735,- | 115.5 | 1.182 | 5 | LOG01L+LOG14K+LOG11B+LOG10K |
| B LOG18PG | 1700 | 1370 | - | - | 1105 | 9 735,- | 115.5 | 1.182 | 5 | LOG10K+LOG11B+LOG14K+LOG01P |



| SYMBOL | WYMIARY [mm] | | | | | CENA NETTO PLN | kg | m3 | szt | ELEMENTY SKŁADOWE |
|------------------|----------------|----------------|----------------|----------------|------|----------------|-------|-------|-----|--|
| | W ₁ | W ₂ | D ₁ | D ₂ | H | | | | | |
| A LOG19LG | 2700 | 770 | 2400 | - | 1105 | 10 410,- | 131.8 | 1.557 | 7 | LOG01L+LOG14K+LOG10K+LOG14B+LOG10B+NE41L |
| B LOG19PG | 2700 | 770 | 2400 | - | 1105 | 10 410,- | 131.8 | 1.557 | 7 | LOG10B+LOG14B+LOG10K+LOG14K+LOG01P+NE41L |



| SYMBOL | WYMIARY [mm] | | | | | CENA NETTO PLN | kg | m3 | szt | ELEMENTY SKŁADOWE |
|------------------|----------------|----------------|----------------|----------------|------|----------------|-------|-------|-----|--------------------------------|
| | W ₁ | W ₂ | D ₁ | D ₂ | H | | | | | |
| A LOG20LG | 3100 | 770 | 2800 | - | 1105 | 11 035,- | 136.8 | 1.790 | 7 | LOG01L+2xLOG14K+2xLOG14B+NE41L |
| B LOG20PG | 3100 | 770 | 2800 | - | 1105 | 11 035,- | 136.8 | 1.790 | 7 | 2xLOG14B+2xLOG14K+LOG01P+NE41L |

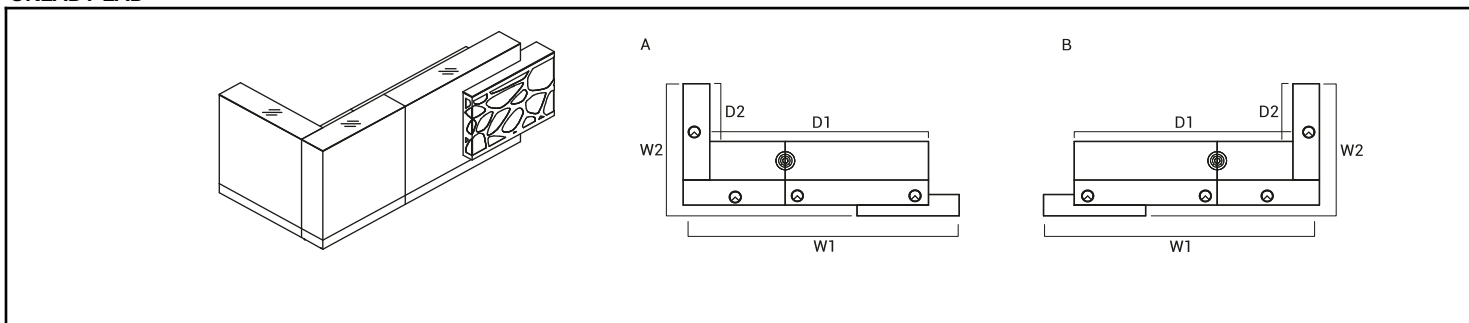
LEGENDA:

- WAGA NETTO

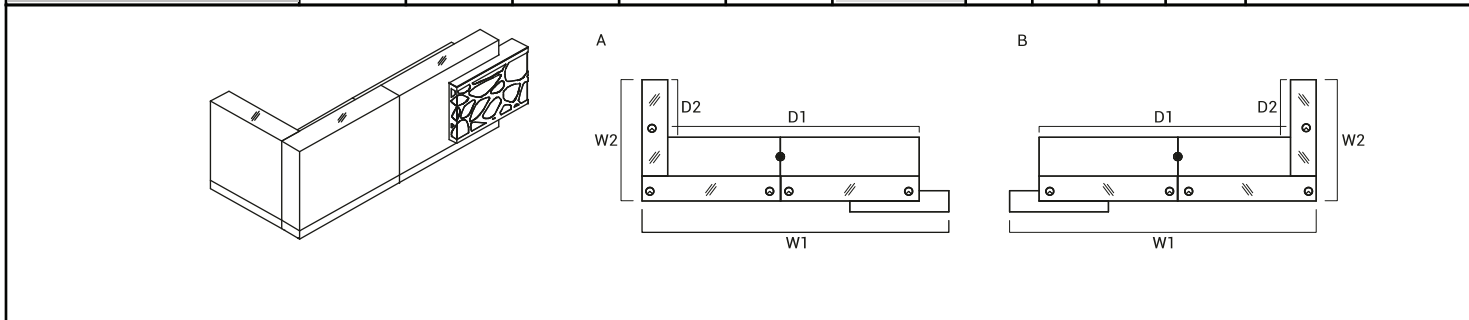
- OBJĘTOŚĆ

- ILOŚĆ PACZEK

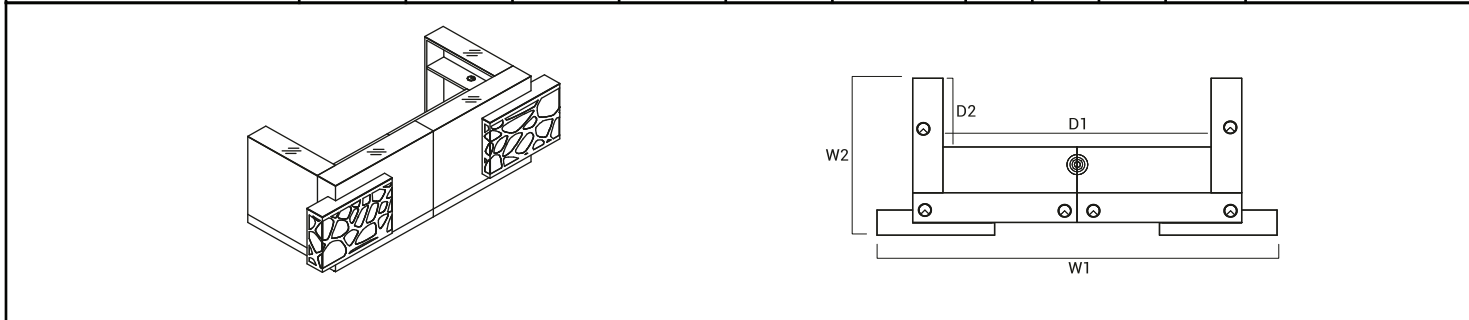
UKŁADY LAD



| SYMBOL | WYMIARY [mm] | | | | | CENA NETTO PLN | | | | | ELEMENTY SKŁADOWE |
|------------------|----------------|----------------|----------------|----------------|------|----------------|-------|-------|---|--|--|
| | W ₁ | W ₂ | D ₁ | D ₂ | H | | | | | | |
| A LOG21LG | 2700 | 1370 | 2140 | 600 | 1105 | 12 225,- | 162.8 | 1.555 | 8 | | LOG01L+LOG14K+2xLOG10K+LOG14B+LOG08B+NE41L |
| B LOG21PG | 2700 | 1370 | 2140 | 600 | 1105 | 12 225,- | 162.8 | 1.555 | 8 | | 2xLOG10K+LOG08B+LOG14B+LOG14K+LOG01P+NE41L |



| SYMBOL | WYMIARY [mm] | | | | | CENA NETTO PLN | | | | | ELEMENTY SKŁADOWE |
|------------------|----------------|----------------|----------------|----------------|------|----------------|-------|-------|---|--|--|
| | W ₁ | W ₂ | D ₁ | D ₂ | H | | | | | | |
| A LOG22LG | 3100 | 1370 | 2540 | 600 | 1105 | 12 885,- | 171.8 | 1.999 | 8 | | LOG01L+2xLOG14K+LOG14B+LOG11B+LOG10K+NE41L |
| B LOG22PG | 3100 | 1370 | 2540 | 600 | 1105 | 12 885,- | 171.8 | 1.999 | 8 | | LOG10K+LOG11B+LOG14B+2xLOG14K+LOG01P+NE41L |



| SYMBOL | WYMIARY [mm] | | | | | CENA NETTO PLN | | | | | ELEMENTY SKŁADOWE |
|---------------|----------------|----------------|----------------|----------------|------|----------------|-------|-------|----|--|--|
| | W ₁ | W ₂ | D ₁ | D ₂ | H | | | | | | |
| LOG23G | 3400 | 1370 | 2280 | 600 | 1105 | 19 540,- | 232.3 | 2.366 | 11 | | 2xLOG10K+2xLOG11B+2xLOG14K+LOG01L+LOG01P+NE41L |

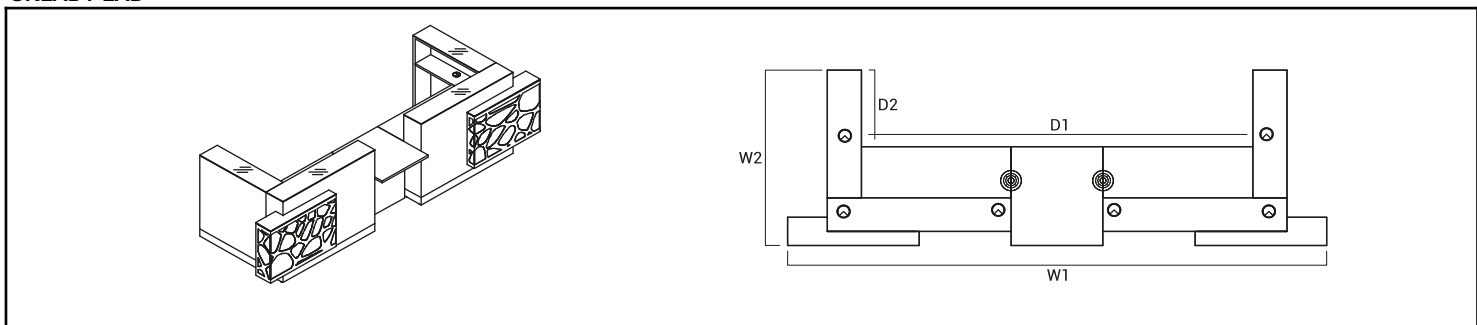
LEGENDA:

- WAGA NETTO

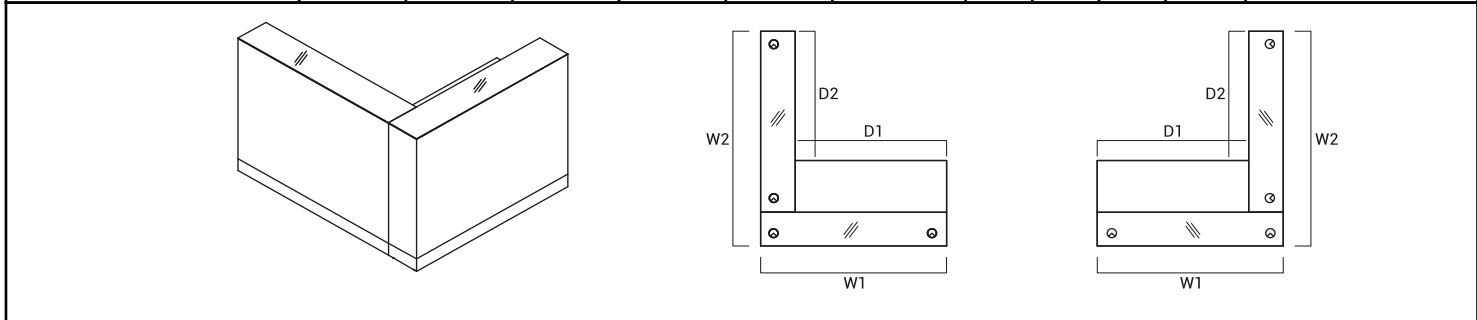
- OBJĘTOŚĆ

- ILOŚĆ PACZEK

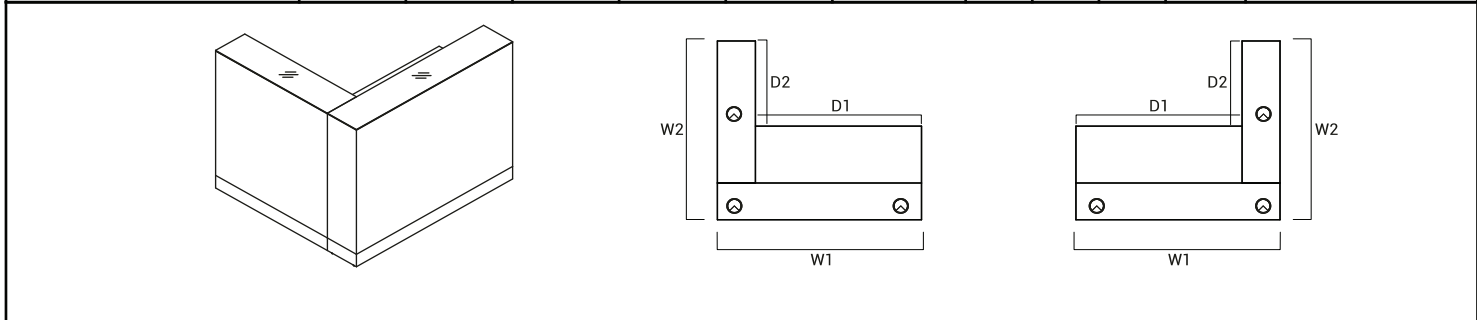
UKŁADY LAD



| SYMBOL | WYMIARY [mm] | | | | | CENA NETTO PLN | kg | m3 | szt | ELEMENTY SKŁADOWE |
|---------------|----------------|----------------|----------------|----------------|------|----------------|-------|-------|-----|--|
| | W ₁ | W ₂ | D ₁ | D ₂ | H | | | | | |
| LOG24G | 4100 | 1370 | - | - | 1105 | 20 225,- | 245.6 | 2.401 | 13 | 2xLOG10K+2xLOG14K+2xLOG11B +LOG07+LOG01L+LOG01P +2xNE41L |



| SYMBOL | WYMIARY [mm] | | | | | CENA NETTO PLN | kg | m3 | szt | ELEMENTY SKŁADOWE |
|--------------|----------------|----------------|----------------|----------------|------|----------------|------|-------|-----|-------------------|
| | W ₁ | W ₂ | D ₁ | D ₂ | H | | | | | |
| LOG15 | 1400 | 1660 | - | - | 1105 | 5 285,- | 95.0 | 1.138 | 3 | 2xLOG14K+LOG11B |



| SYMBOL | WYMIARY [mm] | | | | | CENA NETTO PLN | kg | m3 | szt | ELEMENTY SKŁADOWE |
|--------------|----------------|----------------|----------------|----------------|------|----------------|------|-------|-----|----------------------|
| | W ₁ | W ₂ | D ₁ | D ₂ | H | | | | | |
| LOG17 | 1400 | 1260 | - | - | 1105 | 4 930,- | 90.0 | 1.024 | 3 | LOG11B+LOG14K+LOG10K |

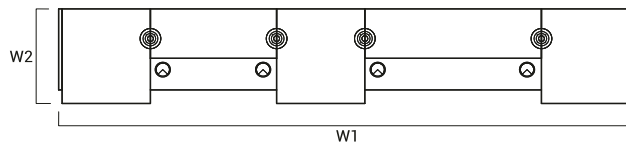
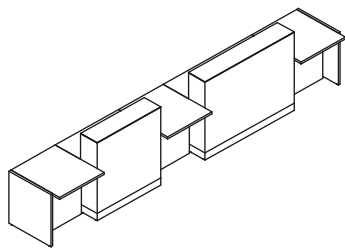
LEGENDA:

- WAGA NETTO

- OBJĘTOŚĆ

- ILOŚĆ PACZEK

UKŁADY ŁAD



| SYMBOL | WYMIARY [mm] | | | | | CENA NETTO PLN | | | | ELEMENTY SKŁADOWE |
|--------|----------------|----------------|----------------|----------------|------|----------------|-------|----------------|-----|---|
| | W ₁ | W ₂ | D ₁ | D ₂ | H | | kg | m ³ | szt | |
| LOG25 | 4556 | 770 | - | - | 1105 | 7 660,- | 146.2 | 1.501 | 11 | 3x.LOG07+LOG14B+LOG14K +LOG10B+LOG10K+4x.NE41L |

LEGENDA:

- WAGA NETTO

- OBJĘTOŚĆ

- ILOŚĆ PACZEK